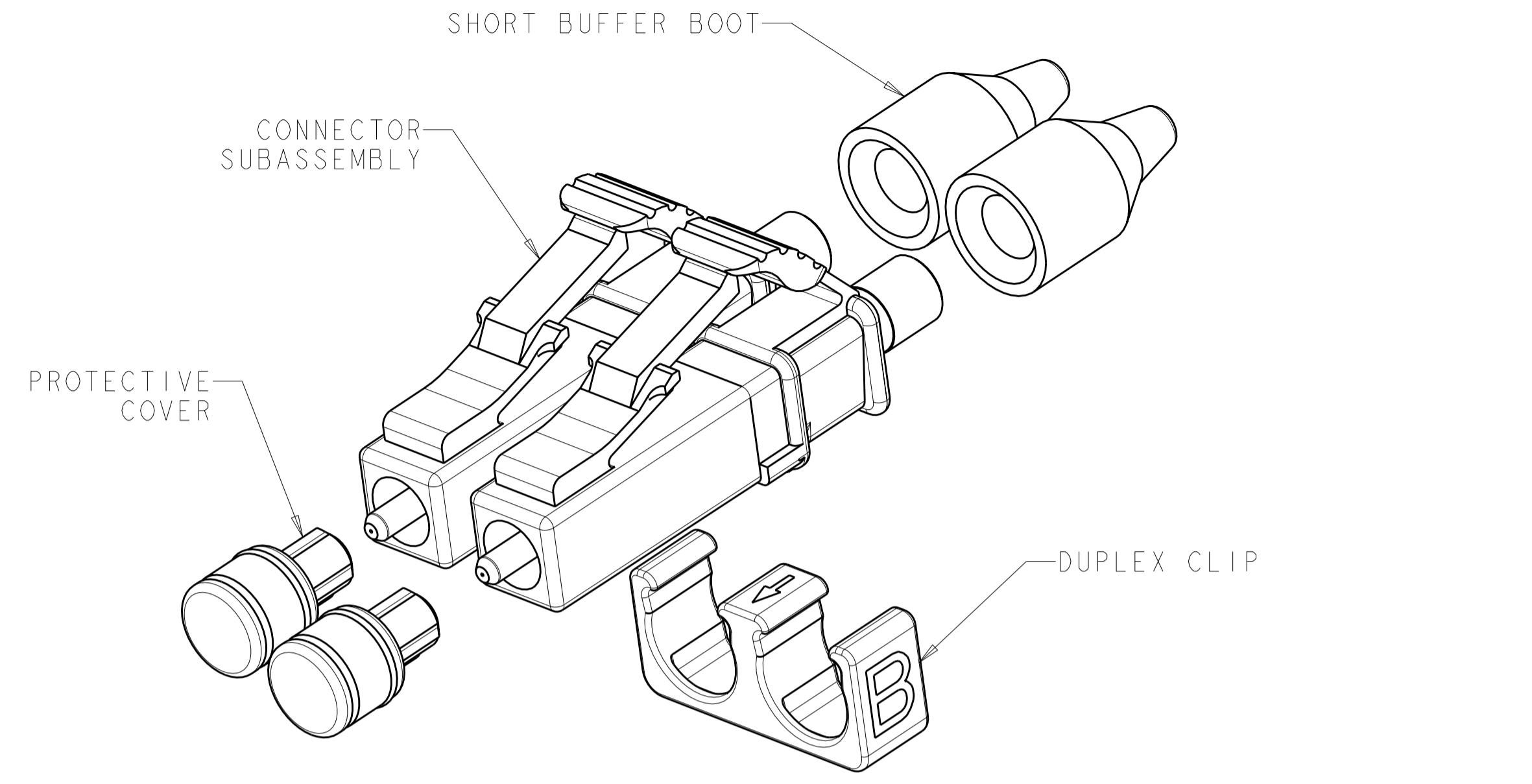


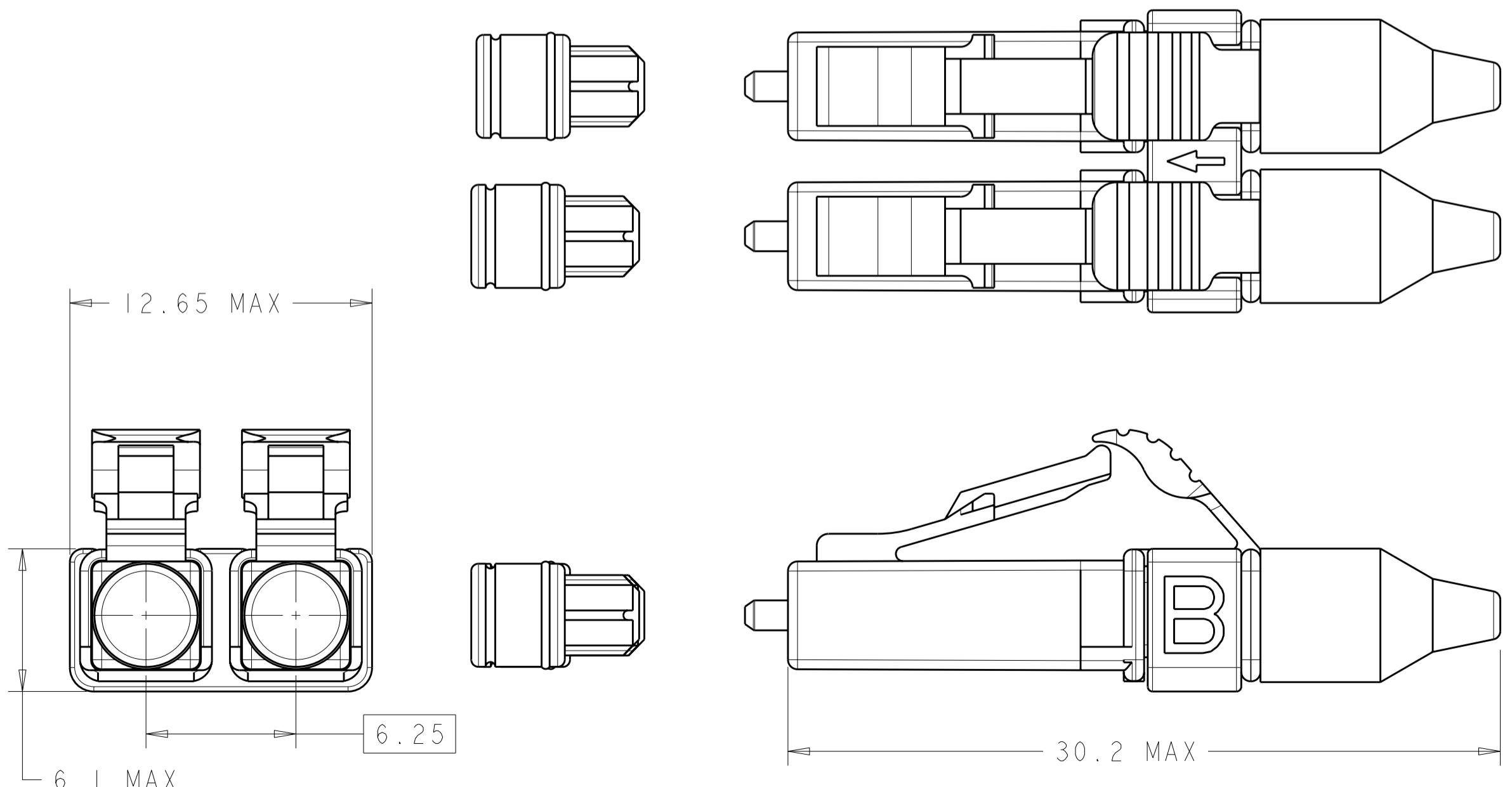
THIS DRAWING IS UNPUBLISHED. RELEASED FOR PUBLICATION 20  
 © COPYRIGHT 20 BY TYCO ELECTRONICS CORPORATION. ALL RIGHTS RESERVED.

LOC	DIST	REVISIONS			
P	LTR	DESCRIPTION	DATE	DWN	APVD
CE	00				
	C2	PRINT STANDARDIZATION	25JUL2008	BB	CB



- 1 MATERIAL  
 PROTECTIVE COVER: TPE, COLOR: BLACK, UL 94 HB\*  
 FERRULE SUBASSEMBLY: ZIRCONIA/METAL  
 COMPRESSION SPRING: STAINLESS STEEL  
 FRONT HOUSING: PEI, COLOR: BEIGE, UL 94 V-0\*  
 INNER TUBING: PTFE, COLOR: CLEAR, UL VW-1  
 REAR BODY: METAL  
 BOOT: TPE, UL 94 V-0\*, SEE TABLE FOR COLOR.  
 DUPLEX CLIP: PEI, COLOR: BLACK, UL94 V-0\*  
 \*RATED AT QUALIFYING THICKNESS.

- 2 BULK PACKAGED.
- 3. INSTRUCTION SHEET: 408-8675.



2	BLACK	1918388-6
2	AQUA	1918388-5
	BLACK	1918388-4
	AQUA	1918388-3
2	BEIGE	1918388-2
	BEIGE	1918388-1
	BOOT COLOR	PART NUMBER

<small>THIS DRAWING IS A CONTROLLED DOCUMENT FOR TYCO ELECTRONICS CORPORATION          IT IS SUBJECT TO CHANGE AND THE CONTROLLING ENGINEERING ORGANIZATION          SHOULD BE CONTACTED FOR THE LATEST REVISION.</small>		DWN B. BRIGGS 24APR2006 CHK D. ROHDE 24APR2006 APVD D. BAECHTLE 24APR2006	Tyco Electronics Harrisburg, PA 17105-3608
DIMENSIONS: mm 	TOLERANCES UNLESS OTHERWISE SPECIFIED: 0 PLC ± 1 PLC ± 2 PLC ± 3 PLC ± 4 PLC ± ANGLES ± FINISH	PRODUCT SPEC APPLICATION SPEC WEIGHT CUSTOMER DRAWING	NAME KIT, CONNECTOR, LC, DUPLEX, MM, 900um BUFFER SIZE CAGE CODE DRAWING NO RESTRICTED TO A200779 C-1918388 -
SCALE 5:1 SHEET 1 OF 1 REV C2			